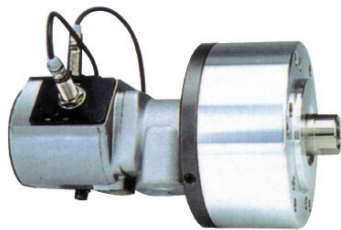


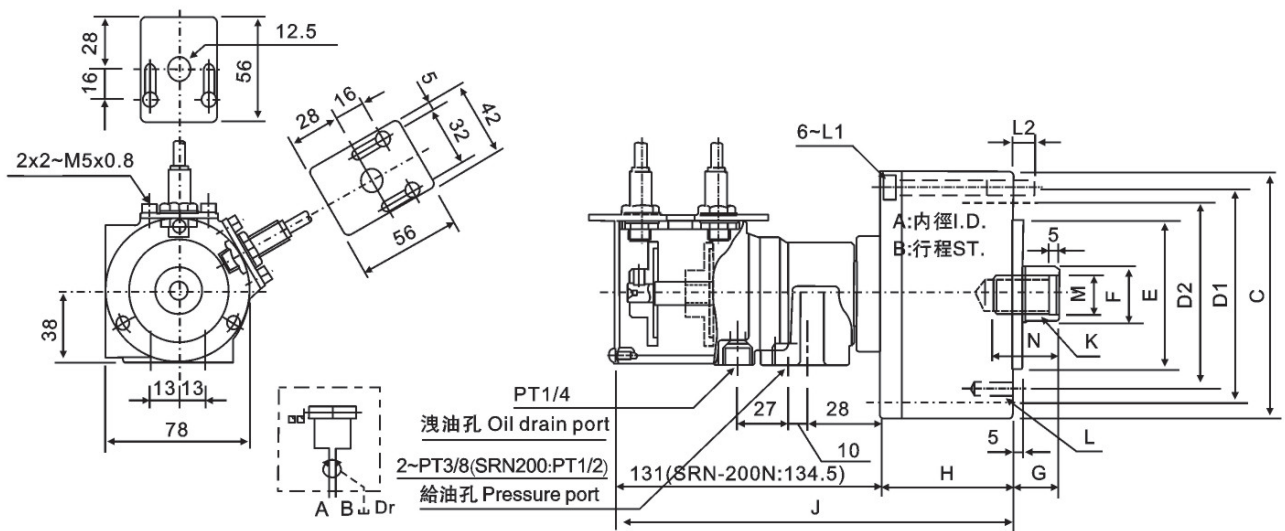
> SRN SERIES

中實回轉油壓缸附確認裝置

HYDRAULIC ROTARY CYLINDER WITH STROKE CONTROL



- ◎ 短型，高速，行程控制型回轉油壓缸。
- ◎ 感應式近接開關，行程調整容易，可確認油壓缸正確作動。
- ◎ 安裝時可由後端鎖固之。
- ◎ For short form ,high speed and stroke control.
- ◎ To ensure safe power chuck operations by conforming movement of the piston in the cylinder.
- ◎ Can screw it from the rear end of the cylinder when mounting.
- ◎ 洩油孔配管務必單獨接回油壓槽，以避免產生背壓。
- ◎ The drain port should be independently connected to oil tank to avoid back pressure.



規格 Spec 型號 Model	活塞面積 Eff.piston area cm ²		行程 (mm) Piston stroke	最高回轉速 max r.p.m	最大使用壓力 Max. Operating Pressure MPa(kgf/cm ²)	慣性矩 kg·m ²	重量(kg) Weight
	伸側 Extend	拉側 Retract					
SRN-75	43.0	37.1	15	6000	4.0(40)	0.01	3.4
SRN-100	77.4	71.5	20				
SRN-125	121.6	113.1	25				
SRN-150	175.6	160.8	30				
SRN-200	313.0	290.4	35	5500		0.10	10.7
						0.29	15.9

規格 Spec 型號 Model	A	B	C	D1	D2	E h7	F	G		H	H1	H2	J	K	L	L1	L2	M	N	
								max	min											
SRN-75	75	15	107	90	65				30	57	42	137	194	M20x2.5	6~M8x16	M8x60				
SRN-100	100	20	132	115	100	80	30	45		72	42	137	209	M20x2.5	6~M10x20	M8x75	12	21	35	
SRN-125	125	25	160	140	130	110	35	50	25	82	41	136	218	M24x3.0	6~M12x20	M8x85		25		
SRN-150	150	30	190	170			45	55		95	39	134	230	M30x3.5	12~M12x24	M10x100	16	31	45	
SRN-200	200	35	245	220	145	120	55	70	35	115	36	132	248	M36x4.0	12~M16x30	M10x125	21	37	60	

* 保留技術更改的權利，恕不另行通知 Subject to technology changes without prior information
 * 非標需求可訂做 Non-standard requirements can be made