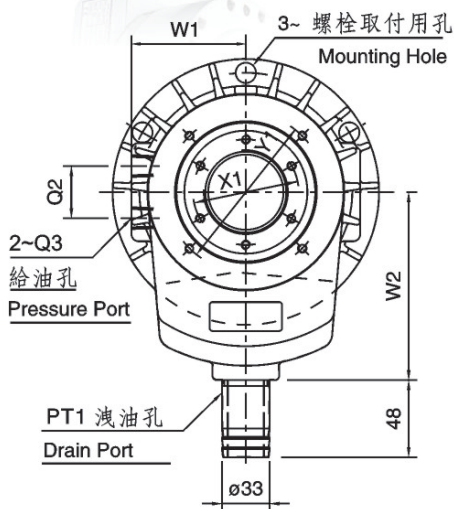


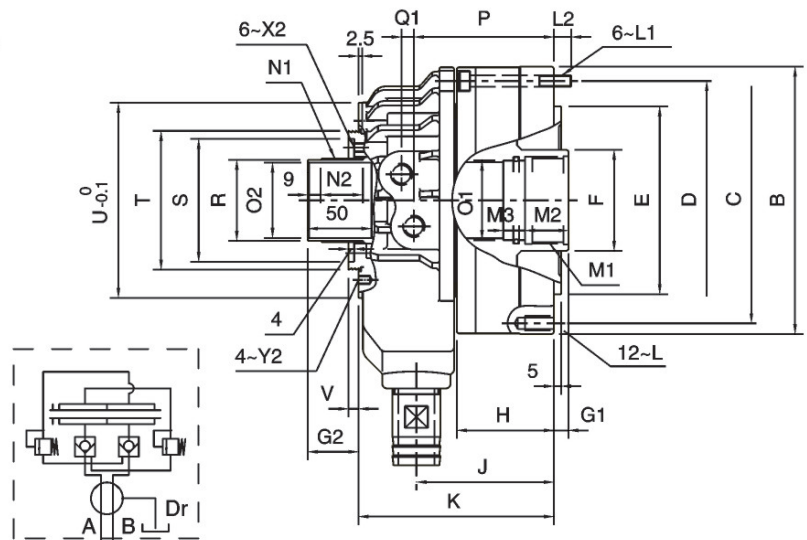
> HK SERIES

超短型中空回轉油壓缸(二)

SHORT TYPE ROTATING HYDRAULIC CYLINDER WITH THROUGH-HOLE AND SAFETY DEVICE



- ◎ 超短，大孔徑型回轉油壓缸，全長僅為從來型的2/3。
- ◎ 內附逆止閥自鎖機構及壓力洩壓閥。
- ◎ 安裝時可前後選擇固定。
- ◎ Super short form, light weight large Through-Hole, just as 2/3 of typical model length.
- ◎ Built-in safety check valves and pressure relief valves.
- ◎ Forward and backward choose a fixed installation.



寸法Size 型號Model	活塞面積 Eff.piston area cm ²		行程 (mm) Piston stroke	最高回轉速 max r.p.m	最高使用壓力(kgf/cm ²) Mpa Max.pressure	慣性矩 kg·m ²	重量(kg) Weight	總流量 Total Leakage L/min	
	伸側 Extend	拉側 Retract							
HK-2091	234.0	217.5	30	3800	4.0(40)	0.092	24.8	4.5	
HK-2511	356.5	335.3		3000	3.5(35)	0.38	49.5	7.0	
HK-2114	373.2	336.1		35	2500	3.5(35)	0.54	58.2	8.0
HK-2820	526.2	472.6		51	1600	3.0(30)	2.4	134	10.0

寸法Size 型號Model	A	B	C	D	E	F	G1		G2		H	J	K	L	L1	L2	M1	M2	M3
	內徑ID				h7		max	min	max	min									
HK-2091	200	245	215	225	180	110	30		55		87	127	185	M12x24	M10x95	18.5	M100x2	35	15
HK-2511	250	305	275	280	230	140		0	25		100	154	224	M16x32	M12X110	22.5	M130x2		
HK-2114	265	320	295	295	240	165	35		60		115	173.5	247.5	M16x32	M12X120	17.5	M155x2	45	20
HK-2820	340	395	365	--	320	235	51		51		141	213	305	M20x40	--	--	M220x3	45	20

寸法Size 型號Model	N1	N2	O1 H8	O2 H8	P	Q1	Q2	Q3	R g7	S H7	T	U	V	W1	W2	X1	X2	Y1	Y2
	HK-2091	M100x2.0		95	91	128.5	15	45		96	120	138	180		110	185	108		165
HK-2511	M130x2.0	38	125	120	152	17	50		126	150	170	227	7	134	210	138	M6x10	210	M6x10
HK-2114	M150x2.0		145	140	170	17	50	PT1/2	146	170	190	250		145	160	160		230	
HK-2820	M218x2.0	62	210	205	202	26	50		215	262	285	360	10	195	300	240		320	

* 保留技術更改的權利，恕不另行通知 Subject to technology changes without prior information
 * 非標需求可訂做 Non-standard requirements can be made