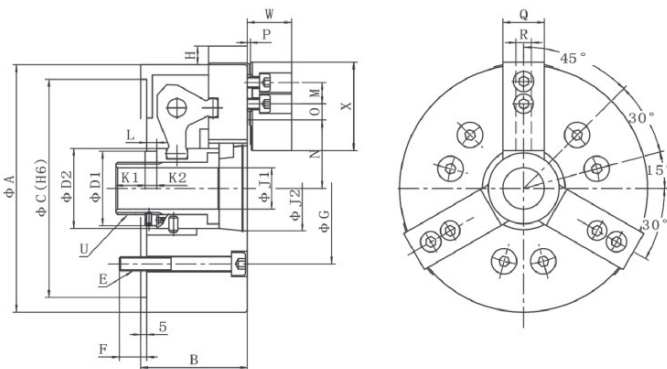


> KBL SERIES

超大行程三爪卡盤

SUPER LONG STROKE 3 JAW POWER CHUCK

- ◎ 此為曲柄型卡盤
- ◎ 夾持力大，適用強力車削加工
- ◎ It's crank type chuck
- ◎ The clamping force is very strong, it's applicable for heavy machining process



| 規格 Spec 型號 Model | 楔行程 Plunger stroke (mm) | 爪行程(直徑) Jaw stroke (Dia.) (mm) | 最大夾持直徑 Max.clamping dia. (mm) | 最小夾持直徑 Max.clamping dia. (mm) | 最大容許油壓缸推力 Max. D.B. pull KN | 最大夾持力 Max clamping force (KN) | 最高回轉速 max r.p.m | 最高使用壓力 Max Pressure (Mpa) | 重量 Weight (kg) | 適用油缸 Matching Cylinder |
|---------------------|-------------------------------|--------------------------------------|-------------------------------------|-------------------------------------|-----------------------------------|-------------------------------------|--------------------|---------------------------------|----------------------|------------------------------|
| KBL-206 | 20 | 32 | 165 | 10 | 22.6 | 19.6 | 3600 | 2.5 | 11.5 | S-100 |
| KBL-208 | 25 | 40 | 210 | 28 | 31.4 | 27.5 | 3000 | 2.5 | 23.6 | S-125 |
| KBL-210 | 28 | 42 | 254 | 42 | 37.3 | 34.3 | 2400 | 2.8 | 34.5 | S-125 |
| KBL-212 | 35 | 50 | 304 | 54 | 49 | 48 | 2100 | 2.8 | 60.8 | S-150 |

| 規格 Spec 型號 Model | A | B | C(H7) | D1 | D2 | E | F | G | H max | J1 | J2(H9) | K1 |
|---------------------|-----|-----|-------|----|-----|-------|----|-------|-------|----|--------|----|
| KBL-206 | 165 | 80 | 140 | 45 | 54 | 6-M10 | 16 | 104.8 | 10 | 21 | 60 | 20 |
| KBL-208 | 215 | 93 | 170 | 65 | 74 | 6-M12 | 20 | 133.4 | 11.5 | 36 | 80 | 25 |
| KBL-210 | 254 | 111 | 220 | 82 | 96 | 6-M12 | 17 | 171.4 | 13 | 55 | 105 | 25 |
| KBL-212 | 304 | 130 | 220 | 92 | 102 | 6-M16 | 22 | 171.4 | 15 | 62 | 110 | 30 |

| 規格 Spec 型號 Model | K2 | L | M | N | O | P | Q | R | T | U | W | X |
|---------------------|----|------------|----|------------|------------|---|----|----|----|-------|----|-----|
| KBL-206 | 10 | -2--18 | 20 | 23.8--39.8 | 9--30 | 3 | 31 | 12 | 43 | M30*2 | 37 | 73 |
| KBL-208 | 10 | -4--21 | 25 | 33.8--53.8 | 10--35 | 5 | 35 | 14 | 55 | M45*2 | 40 | 95 |
| KBL-210 | 12 | -2--26 | 30 | 46.3--67.3 | 13.5--37.5 | 5 | 40 | 16 | 62 | M65*2 | 45 | 110 |
| KBL-212 | 14 | -3.5--31.5 | 30 | 48.3--73.3 | 14--52 | 5 | 50 | 21 | 77 | M72*2 | 53 | 130 |

* 保留技術更改的權利，恕不另行通知 Subject to technology changes without prior information
 * 非標需求可訂做 Non-standard requirements can be made