

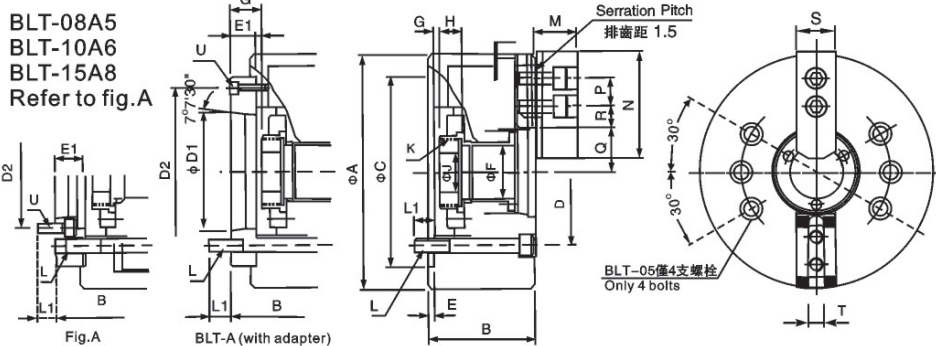
> BLT SERIES

超長爪行程動力夾頭

2-JAW EXTRA LONG JAW STROKE THOUGH HOLE POWER CHUCK



- ◎ 曲柄型二爪超大貫通孔徑，超長爪行程。
- ◎ 摺動面均經硬化及精密研磨，并直接潤滑。
- ◎ 高剛性結構及高夾持精度。
- ◎ 安裝連結方式與中空夾頭一樣，且可與之相容互換，不必更改拉杆。
- ◎ It's a CRANK type 2-jaw with the large through-hole, and extra long jaw stroke.
- ◎ Matching surfaces of all parts hardened, ground and lubricated directly.
- ◎ Construction of high rigidity and high clamping accuracy.
- ◎ The installation is the same as "Through-hole power chuck" and they are replaceable with each other. No need to change the "Draw tube".



規格 Spec 型號 Model	楔心行程 Plunger stroke (mm)	爪行程(直徑) Jaw stroke (Dia.) (mm)	夾持直徑 chucking Dia.(mm)		容許油壓缸推力 Max.D.B.Pull KN(kgf)	最大夾持力 Max clamping force KN(kgf)	最高回轉速 max r.p.m	慣性矩 kg-m ²	重量 (kg)		適合油壓缸 Matched cylinders	最大使用壓力 Max.pressure Mpa(kgf/cm ²)
			最大Max	最小Min								
BLT-05 A4	12	18	135	6	10.4 (1060)	11.4(1165)	4200	0.018	6.9	7.7	H-1036	1.6(16)
BLT-06 A5	15	24	168	10	15.7 (1600)	17.2(1760)	3600	0.016	12.6	14.4	H-1246	1.8(18)
BLT-08 A5	20	32	210	10	22.8 (2330)	27(2750)	3000	0.167	22	24.9	H-1552	1.7(17)
BLT-08 A6										23.1		
BLT-10 A6	25	37.5	254	18	31.8 (3240)	37.2(3800)	2400	0.338	37	44	H-1875	1.8(18)
BLT-10 A8										42.5		
BLT-12 A8	30	45	304	30	43.1 (4400)	50(5100)	2100	0.8	60	65.5	H-2091	1.9(19)
BLT-15 A8	35	52	381	50	56.2 (5370)	60.6(6180)	1600	2.52	133	147	H-2511	1.7(17)
BLT-15 A11										140		

寸法 Size 型號 Model	A	B	C(H6)	D	D1	D2	E	E1	F	Gmax	Gmin	H	J
BLT-05 A4	135	65	76	110	82.6	63.51	96	4	15	32	1	16	12
BLT-06 A5	168	84	97	140	104.8	82.56	116	5	18	42	6.5	24.5	20
BLT-08 A5	210	96	118	170	133.4	82.56	104.8	5	23	52	7	34	20
BLT-08 A6			114			106.38						150	
BLT-10 A6	254	110	130	220	171.4	106.38	133.4	5	25	70	8	33	45
BLT-10 A8			123			139.72						190	
BLT-12 A8	304	127	140	220	171.4	139.72	190	5	18	91	15	33	28
BLT-15 A8	381	150	177	300	235	196.87	171.4	6	33	120	12.5	45.5	60
BLT-15 A11			166									260	

寸法 Size 型號 Model	K max	L	L1	M	N	P	Q max	Q min	R max	R min	S	T	U
BLT-05 A4	M40x1.5	4~M10	15	15	31	62	14	23	13.75	31	22	25	3~M6
BLT-06 A5	M55x2	6~M10	15	15	37	73	20	25.75	16.25	39	27	31	3~M6
BLT-08 A5	M60x2	6~M12	18	17	38	95	25	28.25	16.25	49.25	33.25	35	14
BLT-08 A6				20									
BLT-10 A6	M85x2	6~M16	22	18.5	43	110	30	35.25	17.25	64.25	45.25	40	16
BLT-10 A8				24									
BLT-12 A8	M100x2	6~M16	20	17	51	130	30	46.25	19.25	77	54.5	50	21
BLT-15 A8	M130x2	6~M20	33	31	63	165	43	51.25	27.25	94.25	68.25	62	22
BLT-15 A11				30									

* 保留技術更改的權利，恕不另行通知 Subject to technology changes without prior information
 * 非標準需求可訂做 Non-standard requirements can be made

