

傘型系列
Bull nose centers

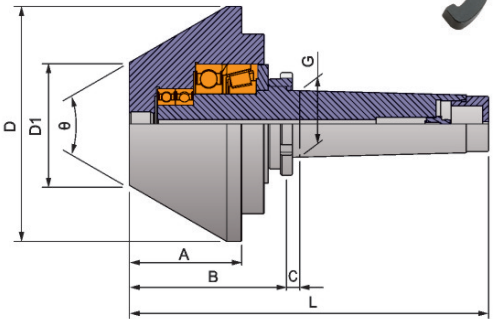
固定式重負荷
Dead head heavy duty centers

> TSC-80 SERIES

傘型重負荷回轉頂針

BULL NOSE HEAVY DUTY LIVE CENTER

- ◎ **適用:** CNC車床、高速車床及其他機床。
Application CNC lathe and high speed lathe or other machine tool.
- ◎ **用途:** 適用大孔徑軸心重力車削加工。
Working Usage Applicable for big size inner diameter workpiece strong turning process.
- ◎ **結構:** 頭部使用合金鋼材，經熱處理，內、外研磨制成，軸承採用重力型設計製成。
Structure Adopted alloy steel, hardened and ground on inner and outside, heavy duty bearing.
- ◎ **配件:** Y型扳手
Accessories Y type spanner.



附Y型扳手
With Y spanner

規格 / Specification 單位/UNIT: mm

精準度:<0.002

型式/外表尺寸 Model/Spec	A	B	C	D	D1	G	L	θ	軸承最高轉數 Max. RPM	軸承徑向力 (載重) Max. radial load	軸承軸向力 (推力) Max. axial thrust force
TSC-80-3"-4A	65	112	4	77	15	31.267(MT4)	216	60°	2,500 rpm	2,200 kg	2,500 kg
TSC-80-4"-4A	80	127	4	107	25	31.267(MT4)	231	60°	2,500 rpm	2,200 kg	2,500 kg
TSC-80-5"-4A	90	137	4	127	40	31.267(MT4)	241	60°	2,200 rpm	3,200 kg	3,800 kg
TSC-80-6"-4A	107	152	4	157	45	31.267(MT4)	256	60°	2,200 rpm	3,200 kg	3,800 kg
TSC-80-8"-4A	110	157	4	207	107	31.267(MT4)	261	60°	2,000 rpm	5,300 kg	5,600 kg
TSC-80-3"-5A	65	112	5	77	15	44.399(MT5)	243	60°	2,500 rpm	2,200 kg	2,500 kg
TSC-80-4"-5A	80	127	5	107	25	44.399(MT5)	258	60°	2,500 rpm	2,200 kg	2,500 kg
TSC-80-5"-5A	90	137	5	127	40	44.399(MT5)	268	60°	2,200 rpm	3,200 kg	3,800 kg
TSC-80-6"-5A	107	152	5	157	45	44.399(MT5)	283	60°	2,200 rpm	3,200 kg	3,800 kg
TSC-80-8"-5A	110	157	5	207	107	44.399(MT5)	288	60°	2,000 rpm	5,300 kg	5,600 kg
TSC-80-10"-5A	110	157	5	257	157	44.399(MT5)	288	60°	2,000 rpm	5,300 kg	5,600 kg
TSC-80-12"-5A	110	157	5	306	206	44.399(MT5)	288	60°	2,000 rpm	5,300 kg	5,600 kg
TSC-80-5"-6A	90	141	6	127	40	63.348(MT6)	327	60°	2,200 rpm	3,200 kg	3,800 kg
TSC-80-6"-6A	107	156	6	157	45	63.348(MT6)	342	60°	2,200 rpm	3,200 kg	3,800 kg
TSC-80-8"-6A	110	161	6	207	107	63.348(MT6)	347	60°	2,000 rpm	5,300 kg	5,600 kg
TSC-80-10"-6A	110	161	6	257	157	63.348(MT6)	347	60°	2,000 rpm	5,300 kg	5,600 kg
TSC-80-12"-6A	110	161	6	306	206	63.348(MT6)	347	60°	2,000 rpm	5,300 kg	5,600 kg