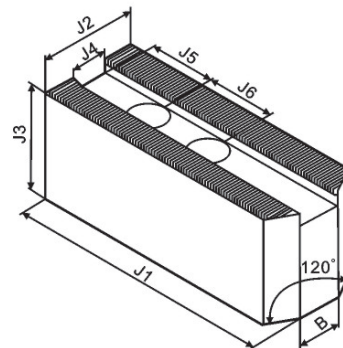
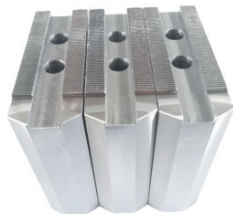


SC08 加高油壓軟爪(生爪)

SC08 EXTRA HEIGHT SOFT JAWS



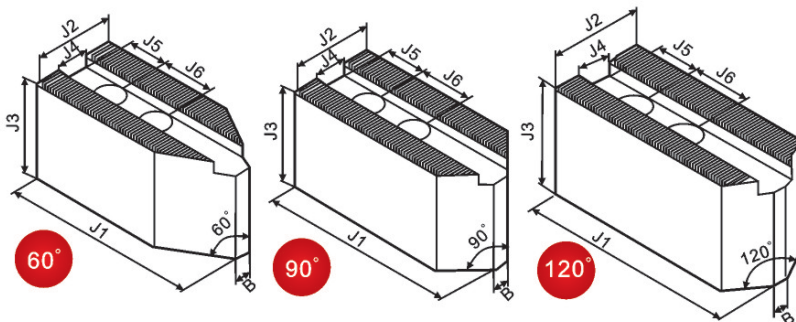
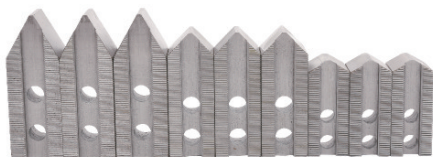
齒距: 1.5mmx60° Serration Pitch:1.5mmx60°

單位/UNIT:mm

型號 Model	重量/Weight kg/set	螺孔 Screw	尺寸/Size (mm)						
			J1	J2	J3	J4	J5	J6	B
SC08H50	3.2	M12	95	35	50	14	24	25	16
SC08H60	3.8				60				
SC08H70	4.4				70				
SC08H80	5.1				80				
SC08H90	5.8				90				
SC08H100	6.4				100				
SC08H110	7.0				110				
SC08H120	7.6				120				
SC08H130	8.2				130				
SC08H140	8.8				140				
SC08H150	9.4				150				
SC08H160	10.1				160				
SC08H170	11.7				170				
SC08H180	11.4				180				
SC08H190	12				190				
SC08H200	12.6				200				

SC08 尖角油壓軟爪(生爪)

SC08 POINTED SOFT JAWS



齒距: 1.5mmx60° Serration Pitch:1.5mmx60°

單位/UNIT:mm

型號 Model	重量/Weight kg/set	螺孔 Screw	尺寸/Size (mm)						
			J1	J2	J3	J4	J5	J6	B
SC08H38P	2.5	M12	95	35	38	14	15	25	3
SC08H50P	3.2				50				
SC08H60P	3.8				60				
SC08H70P	4.4				70				
SC08H80P	5.1				80				
SC08H90P	5.8				90				
SC08H100P	6.4				100				

注: 尖角油壓軟爪有60°、90°、120°可供選擇; 非標可定做。

Option for pointed soft jaws: 60/90/120 angle degree or other special requirements; Customized spec can be made.