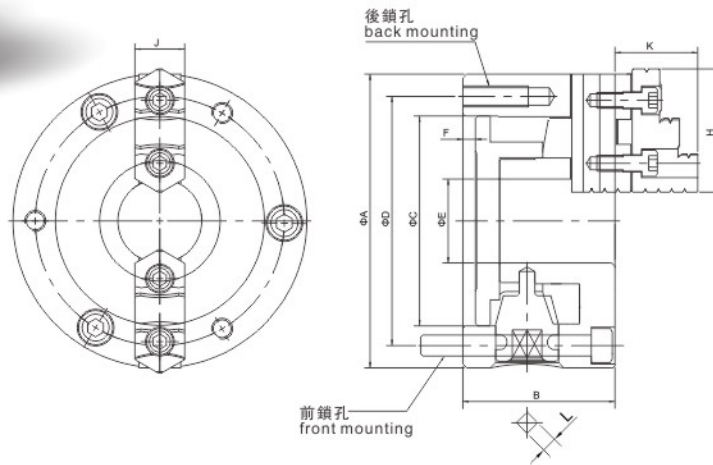


兩爪強力式自定心卡盤 (前後鎖通用)

SKT 2 jaw universal scroll chuck (Front and back mounting)



1. 直口連接
 2. 標配分離式硬爪一組
 3. 重複夾持精度為0.03mm
1. Plain back
 2. Standard accessories: 1 set two-piece hard jaws
 3. Clamping repeatability is 0.03mm



規格 / Specification

單位/UNIT:mm

型式/規格 Model/Spec	最大容許扭矩 Max. Allowable Torque N*m	最大靜夾持力 Max. Gripping Force KN	淨重 Weight Kg	最高轉速 RPM	夾持範圍外徑 O.D Clamping Range mm	夾持範圍內徑 I.D. Clamping Range mm
SKT-04*	44	12	3.1	2500	3-90	32-84
SKT-05*	63	15	4.4	2500	3-110	35-100
SKT-06	88	31	11.4	2000	8-160	55-150
SKT-07	107	31	12.2	2000	8-180	62-170
SKT-08	128	33	16.2	2000	8-180	62-170
SKT-09	147	37	21.2	2000	11-220	70-210
SKT-10	176	46	28	1800	12-260	80-250

型式/規格 Model/Spec	A	B	C	D	E	F	G	H	J	K	L
SKT-04*	112	58	80	95	24	4.5	3(4)-M8x1.25P	46.5	15	47.5	8
SKT-05*	132	60	100	115	32	4.5	3(4)-M8x1.25P	56	20	60	8
SKT-06	167	66	130	147	45	5	3-M10x1.5P	67	20	64.5	10
SKT-07	193	76	155	172	58	5	3-M10x1.5P	80	25	72	11
SKT-08	203	76	160	176	58	5	3-M10x1.5P	80	25	72	11
SKT-09	233	84	190	210	70	5.5	3-M12x1.75P	92	28	83	12
SKT-10	273	86	230	250	89	5.5	3-M12x1.75P	92	28	83	12

*注：前端連接螺絲為4個；Note: The front mounting bolts are 4pcs

* 保留技術更改的權利，恕不另行通知 Subject to technology changes without prior information

* 非標需求可訂做 Non-standard requirements can be made

