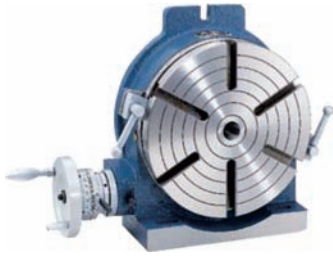


立卧两用分度盘 HORIZONTAL AND VERTICAL ROTARY TABLE

型号: HV-150, 200, 250, 300, 350, 400

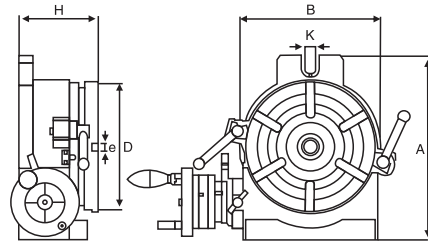


- ◎ 此分度圆盘经360度重复定位研磨，以增加其精准度；蜗轮经热处理以增加其延展性，蜗轮比为90:1。
- ◎ 转动手轮一圈，分度盘圆盘转动4度。
- ◎ The work table is graduated 360 degree around its circumference and driven by a precision Worm and gear providing a 90:1 reduction ratio.
- ◎ One turn of the handle moves the table through 4 degrees. The dial is graduated in division of 1 min. and the vernier scale allows reading down to 10 seconds.
- ◎ The worm is hardened and precision ground to minimize wear out of the worm gear.
- ◎ Both the upper and the lower surface of the rotary plates are precision ground.



选购配件
Operational accessories

- ◎ 尾座 Tailstock
- ◎ 蜂巢板 Dividing plate set
- ◎ 三爪 3-jaw chuck

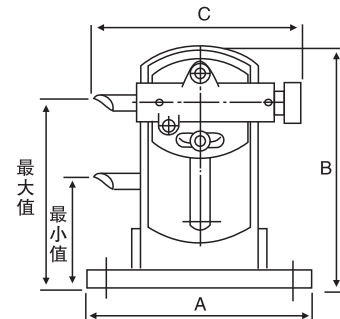


规格表

型号 Model	圆盘 Table		底座 Base		固定沟槽 Bolt Slot	T型沟槽 T Slot		中心轴套 Center Sleeve	蜗轮比 Worm gear Ratio	立式承载力 Vertical Loading	卧式承载力 Horizontal Loading	重量 (kg) Weight
	D	H	A	B	K	e	Type	Vertical Loading		Horizontal Loading		
HV-150	150	92	220	160	18	11	⊕	MT-2	90:1	20	39	13
HV-200	200	120	310	225	18	13	⊗	MT-3		44	87	29
HV-250	250	120	320	280	18	13	⊗	MT-3		62	123	41
HV-300	300	140	410	325	18	16	⊗	MT-4		98	195	65
HV-350	350	140	460	380	18	16	⊗	MT-4		147	294	98
HV-400	400	140	510	435	18	16	⊗	MT-5		195	390	130

HV专用尾座 HV SPECIAL TAILSTOCK

型号: TS-1,2,3



规格表

型号 Model	适用型号 Matched table	A	B	C	中心高 Center height		重量 (kg) Weight
					最大值 Max	最小值 Min	
HV-150TS	HV-150	127	110	166	113	100	5
TS-1	HV-200/HV-250	230	247	210	190	110	13
TS-2	HV-300	230	280	210	220	140	15
TS-3	HV-350/HV-400	230	330	210	264	184	17