

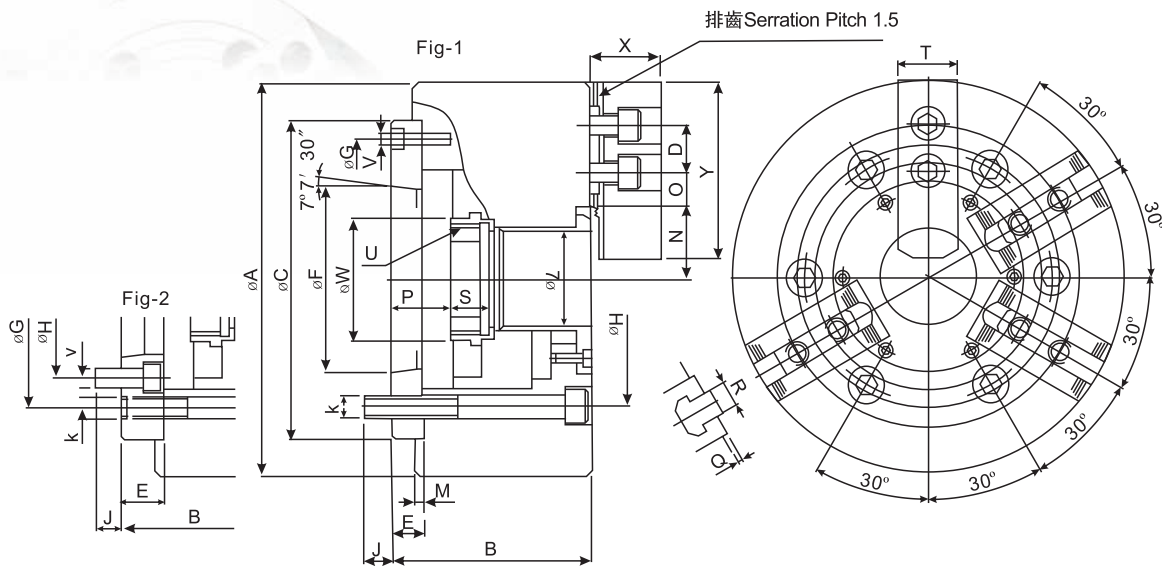
> NHT SERIES

二爪三爪共用中空
油壓夾頭

2 JAWS AND 3 JAWS THROUGH-HOLE POWER CHUCKS (WITH ADAPTOR)



- ◎ 1.可做圓型與不規則之工作夾持，不須換夾頭。
- ◎ 2.夾頭系依ASA B5.9 A型主軸標準而設計。
- ◎ 3.夾頭採用高級合金鋼材質，所有滑動面均經表面硬化及研磨處理，以提高回轉精度及耐久性。
- ◎ Gripping of round or irregular workpiece does not need to change the chuck.
- ◎ The chucks are designed according to ASA B5.9 type A spindle.
- ◎ The chucks are made from high grade alloy steel. All sliding surfaces are hardened and ground to increase running accuracy and longer service life.



型式 Model	通孔直徑 Through hole dia. (mm)	柱塞行程 Piston stroke (mm)	爪行程(直徑) Jaw stroke dia. (mm)	最大拉杆推力 (kgf) Max DB pull		最大夾持力 (kgf) Max clamping force		最大使用油壓力 Max oil pressure (kgf/cm ²)		最高回轉速 max r.p.m	重量 Weight (kg)	適合油壓缸 Matched cylinders	適合生爪 Matched HC	適合硬爪 Matched HJ
				三爪	二爪	三爪	二爪	三爪	二爪					
NHT-208A5	52	16	7.4	2243	1495	5812	3875	17.2	12.1	3500	25.5	M1552	HC06	HJ06
NHT-208A6	52	16	7.4	2243	1495	5812	3875	17.2	12.1	3500	24.7	M1552	HC06	HJ06

型式 Model	A	B	C	D	E	F	H	G	J	K	L	M	N max	O max	O min	p max	p min	Q	R	S	T	U max	V	W	X	Y	參考圖 Ref
NHT-208A5	210	113	170	20	23	82.563	133.5	104.78	13	6×M12	52	5	41.8	34	7.5	37.5	21.5	2	12	20.5	32	M60×P2.0	6×M10	66	37	73	Fig-2
NHT-208A6	210	107	170	20	17	106.375	150	133.35	17	6×M12	52	5	41.8	34	7.5	31.5	15.5	2	12	20.5	32	M60×P2.0	3×M6	66	37	73	Fig-1

* 保留技術更改的權利，恕不另行通知 Subject to technology changes without prior information
 * 非標需求可訂做 Non-standard requirements can be made

