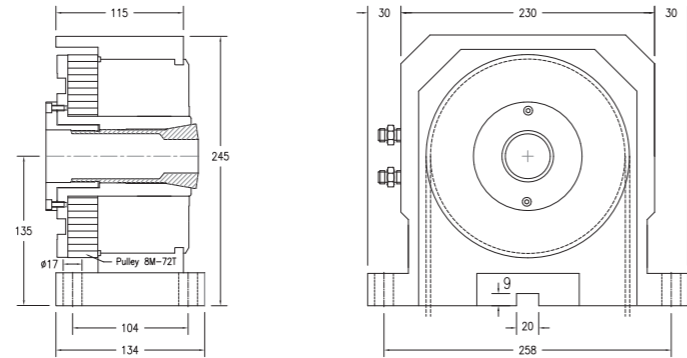


JAK-40 高速氣壓主軸夾頭-美規16C筒夾

JAK-40 HIGH SPEED AIR SPINDLE COLLET CHUCK FOR 16C COLLET



JAK-40 產品特點

- ◎ 搭配標準美規16C筒夾·最大夾持徑40mm
- ◎ 壓縮空氣驅動夾緊·最高轉速2600RPM
- ◎ 強大的夾持力 4200kgf@7kg/cm² (9240lbf@100psi)
- ◎ 滑套前推夾緊·工件軸向不位移
- ◎ 夾座外型超薄·由夾座後方自動送料行程短·生產效率提高

此處數據僅供參考，因所有產品型號的尺寸持續在更改優化中，請依現場實際提供的尺寸數據為準

JP系列 高速精密膜片夾頭

JP SERIES HIGH SPEED DIAPHRAGM CHUCK

- ◎ 高精度三爪油壓膜片夾頭
- ◎ 內藏抗離心設計·高轉速8000RPM
- ◎ 夾頭本體密封·防塵防水防屑·低潤滑低保養需求
- ◎ 夾頭本體無滑動磨損·精度壽命長
- ◎ 適合高精度工件夾持加工
- ◎ 夾持力可以透過油缸出力精密微調
- ◎ 適合薄環件·薄管件·脆弱件夾持加工
- ◎ 搭配數控車床或精密研磨床工作

0.005mm repeatability.
Anti centrifugal force design. Clamping force remains high in high R.P.M.
Integrated dynamic-balancing-weights for fine balance adjustment.
No sliding parts to wear out.
Clamping force/stroke is proportional to actuating force.
Ideal for fragile parts, or thin-wall parts clamping.



JPL系列 研磨機專用精密膜片夾頭

JPL SERIES DIAPHRAGM CHUCK FOR GRINDERS

- ◎ 高精度三爪油壓膜片夾頭
- ◎ 輕量化設計·夾頭體積小·重量輕
- ◎ 夾頭本體密封·防塵防水防屑·低潤滑低保養需求
- ◎ 夾頭本體無滑動磨損·精度壽命長
- ◎ 適合高精度工件夾持加工
- ◎ 夾持力可以透過油缸出力精密微調
- ◎ 適合薄環件·薄管件·脆弱件夾持加工
- ◎ 搭配精密研磨床工作

0.005mm repeatability.
Compact size. Light weighted.
Special for precision grinders.
No sliding parts to wear out.
Clamping force/stroke is proportional to actuating force.
Ideal for fragile parts, or thin-wall parts clamping.

應用範例

- ◎ 軸承薄環件
- ◎ 數位相機零件
- ◎ 氣動手工具組的零件加工
- ◎ 微小引擎的缸套與活塞加工
- ◎ 超薄環形零件·超薄鋁管零件
- ◎ 陶瓷零件加工

產品簡介

- ◎ 高精度加工的關鍵來自於高精度的夾具。
- ◎ JP/JPL系列精密三爪膜片夾頭應用專利膜片夾盤技術·適合精密工件或是薄型工件的精密夾持加工。
- ◎ 市面上常見的油壓三爪夾頭是由一系列滑塊與滑軌所構成·滑動件的製造精度·配合精度·潤滑保養·工作磨損等因素都會影響其夾持精度。專利的膜片夾盤技術是以金屬膜片的彈性變形原理夾持工件物·其特徵是均勻且具高重複性·工作時無滑動磨損·精度壽命超過2年以上。

JP/JPL精密三爪膜片夾頭目前有以下二系列產品

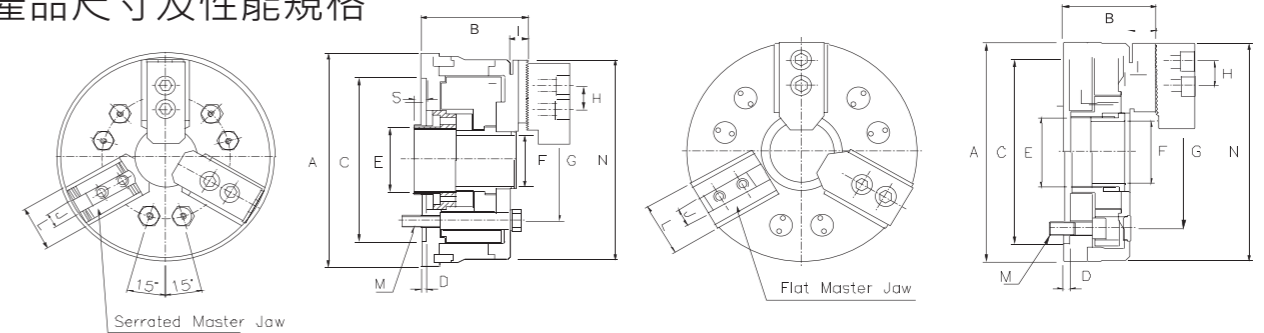
- ◎ JP系列高速精密膜片夾頭
- ◎ JPL系列研磨床專用精密膜片夾頭

JP系列高速精密膜片夾頭是專為數控車床精密車削所設計的高精密夾具。內藏抗離心機構·高轉速時夾持力保持穩定不衰減。JP系列膜片夾頭的優點除了表現於高重複精度外·其夾持力可以由油壓迴轉缸推力精密微調·適合應用於薄環工件·薄管工件·脆弱工件的夾持加工·能大幅降低工件受夾持力破壞或變形。

JPL系列研磨床專用精密膜片夾頭可以應用於精密零件與薄型工件的夾持加工。其體積小·重量輕·是專為精密研磨床所設計的高精度夾具。

JP/JPL Series Diaphragm Chuck performs its clamping movement by material deformation which features high repeatability and low maintenance requirements. Compared to regular wedge-hook power chucks, JP/JPL diaphragm chuck owns high repeatability of 0.005mm, and longer product life since JP/JPL has no clearance, no sliding parts to wear out. JP is designed for high speed turning machines. It incorporates balancing-weights to eliminate centrifugal force. JPL is specially designed for precision grinders. The chuck is with low profile and mass which enable your machines to have high performance and high chucking accuracy.

產品尺寸及性能規格



型號/Model	JP-05	JP-06	JP-08	JP-10	JP-06L	JP-08L
A	147mm (5.79")	182mm (7.17")	232mm (9.13")	267mm (10.51")	167mm (6.57")	217mm (8.54")
B	68mm (2.68")	87mm (3.42")	98mm (3.86")	105mm (4.13")	65.5mm (2.58")	71.5mm (2.82")
C (H6)	110mm (4.33")	140mm (5.51")	170mm (6.69")	220mm (8.66")	140mm (5.51")	170mm (6.69")
D	4mm (0.16")	4.5mm (0.16")	4.5mm (0.16")	5mm (0.20")	5mm (0.20")	5mm (0.20")
E	M40 x P1.5	M55 x P2.0	M60 x P2.0	M85 x P2.0	M55 x P2.0	M60 x P2.0
F	33mm (1.30")	44mm (1.73")	50mm (1.97")	75mm (2.95")	44mm (1.73")	52mm (2.05")
G (P. C. D.)	82.6mm (3.25")	104.8mm (4.13")	133.4mm (5.25")	171.4mm (6.75")	104.8mm (4.13")	133.4mm (5.25")
H	14mm (0.55")	20mm (0.79")	25mm (0.98")	30mm (1.18")	20mm (0.79")	25mm (0.98")
I	13mm (0.51")	15mm (0.60")	17mm (0.67")	17mm (0.67")	17.5mm (0.69")	18.5mm (0.73")
J	10mm (0.39")	12mm (0.47")	14mm (0.55")	16mm (0.63")	12mm (0.47")	14mm (0.55")
L	30mm (1.18")	38mm (1.50")	42mm (1.65")	47mm (1.85")	38mm (1.50")	42mm (1.65")
M	M10 x 3	M10 x 6	M12 x 6	M16 x 6	M10 x 6	M12 x 6
N	136mm (5.35")	170mm (6.70")	217mm (8.54")	256mm (10.08")	165mm (6.50")	220mm (8.66")
S	14mm (0.55")	11mm (0.43")	11mm (0.43")			
最高轉速 Max RPM	8000	7500	6500	5500	600	600
回轉缸最大推力 Max. Axial Force	1750kgf (3850lbf)	2250kgf (4950lbf)	3500kgf (7700lbf)	4750kgf (10450lbf)	2250kgf (4950lbf)	3500kgf (7700lbf)
適用夾頭 Matching Chuck	5" 夾頭	6" 夾頭	8" 夾頭	10" 夾頭	6" 夾頭	8" 夾頭
安裝法蘭 Adapter plate	平背110mm A2-4	平背140mm A2-5	平背170mm A2-6	平背220mm A2-6/A2-8	平背140mm A2-4/A2-5/A2-6	平背170mm A2-6
產品淨重 N. W.	5.5kgs (12.1lbs)	11.0kgs (24.2lbs)	20.0kgs (44.0lbs)	30.5kgs (67.1lbf)	5.5kgs (12.1lbs)	8.0kgs (17.6lbs)