

中負荷  
Medium duty

替換式系列  
Interchangeable live centers series

## > TSC-761 SERIES

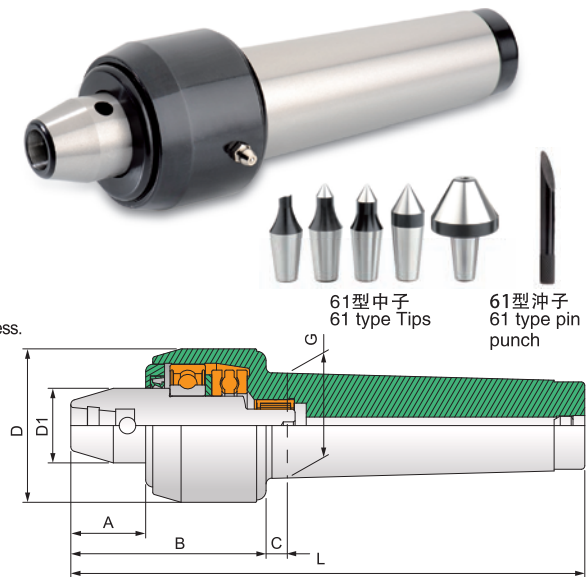
### 尖部替換式回轉頂針

#### INTERCHANGEABLE MEDIUM DUTY LIVE CENTER

- ◎ 適用：CNC車床、高速車床及其他機床。  
Application CNC lathe and high speed lathe or other lathe machine.
- ◎ 用途：適用長度300mm以內一般軸心車削加工。  
Working Usage Applicable for small dia. and the length less than 300mm ordinary turning process.
- ◎ 結構：採用前後兩個支撐點加止推軸承設計製成。  
Structure Combination of thrust bearing and with the design of double supporting point.
- ◎ 配件：61型中子、61型沖子  
Accessories 61 type Tips and 61 type pin punch.
- ◎ 精準度：0.005以內  
TIR Less than 0.005mm

規格 / Specification 單位/UNIT: mm

型式/外表尺寸 Model/Spec	A	B	C	D	D1	G	L	軸承最高轉數 Max. RPM	軸承徑向力 (載重) Max. radial load	軸承軸向力 (推力) Max. axial thrust force
TSC-761-3	32	83	8	58	31.2	23.825(MT3)	170	4,000 rpm	900 kg	2,200 kg
TSC-761-4	32	83	9	65	31.2	31.267(MT4)	191	4,000 rpm	1,100 kg	2,500 kg
TSC-761-5	32	83	9	65	31.2	44.399(MT5)	218	4,000 rpm	1,200 kg	2,500 kg



## > TSC-748 SERIES

### 尖部替換式回轉頂針

#### INTERCHANGEABLE MEDIUM DUTY LIVE CENTER

- ◎ 適用：CNC車床、高速車床及其他機床。  
Application CNC lathe and high speed lathe or other lathe machine.
- ◎ 用途：適用長度300mm以內一般軸心車削加工。  
Working Usage Applicable for small dia. and the length less than 300mm ordinary turning process.
- ◎ 結構：採用前後兩個支撐點加止推軸承設計製成。  
Structure Combination of thrust bearing and with the design of double supporting point.
- ◎ 選配：48型小子、61型沖子  
Accessories 48 type Tips and 61 type pin punch.
- ◎ 精準度：0.005以內  
TIR Less than 0.005mm

規格 / Specification 單位/UNIT: mm

型式/外表尺寸 Model/Spec	A	B	C	D	D1	G	L	軸承最高轉數 Max. RPM	軸承徑向力 (載重) Max. radial load	軸承軸向力 (推力) Max. axial thrust force
TSC-748-3	27	78	8	58	31.2	23.825(MT3)	165	4,000 rpm	900 kg	2,200 kg
TSC-748-4	27	78	9	65	31.2	31.267(MT4)	186	4,000 rpm	1,100 kg	2,500 kg
TSC-748-5	27	78	9	65	31.2	44.399(MT5)	213	4,000 rpm	1,200 kg	2,500 kg

