

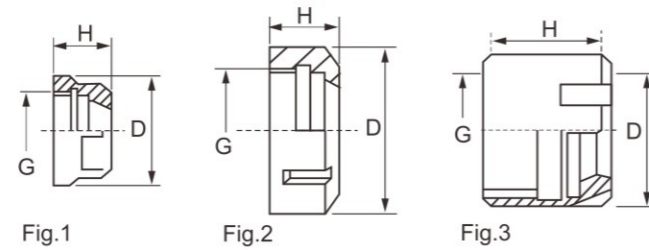
ER筒夾及配件
ER COLLET AND ACCESSORIES



>ER SERIES

配件-ER螺帽

Clamping Nut

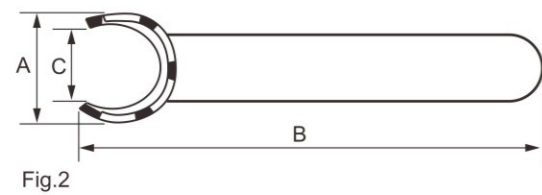
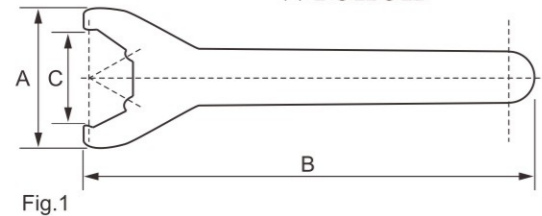


Model No.	D	H	G	Fig.
ER11	19	13	M14 x P 0.75	1
ER16	28	17.5	M22 x P 1.5	1
ER20	34	19	M25 x P 1.5	1
ER25	42	20	M32 x P 1.5	2
ER32	50	22.5	M40 x P 1.5	2
ER40	63	29	M50 x P 1.5	2
ER11M	16	12	M13 x P 0.75	3
ER16M	22	18	M19 x P 1.0	3
ER20M	28	19	M24 x P 1.0	3

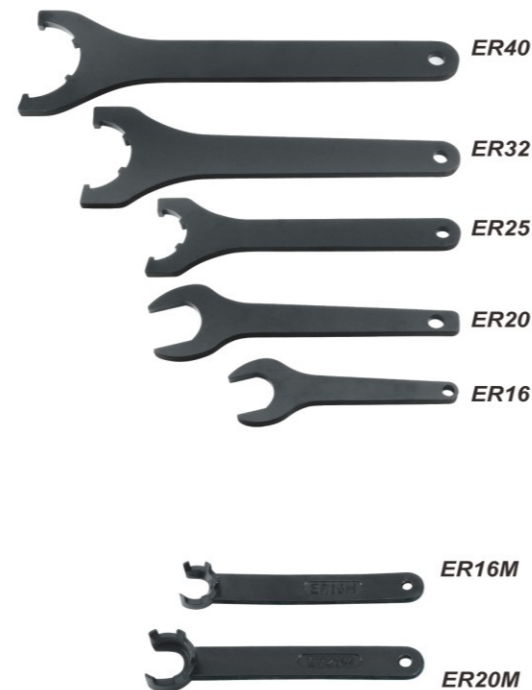


ER扳手

Wrench



Model No.	A	C	B	Fig.
NCH-ER40	90	58	289	1
NCH-ER32	75	46.5	253	1
NCH-ER25	65	37	206	1
NCH-ER20	28.5	15.5	129	1
NCH-ER16	22.5	12.5	117	1
NCH-ER11	17	8.5	95	1
NCH-ER16M	45	25	137	2
NCH-ER20M	54	30	162	2



>ER SERIES

彈性筒夾

精度5 μ
Integrated precision
5 μ



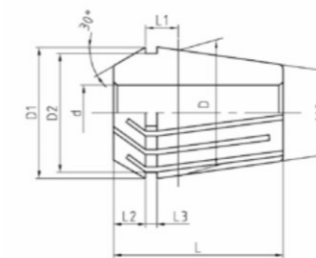
高精度5 μ 筒夾表面塗層外觀特點:

- ◎ 防銹蝕
- ◎ 提高表面硬度、耐磨性
- ◎ 清潔度更好，精度穩定
- ◎ 表面更光滑，手感舒適，外觀更漂亮

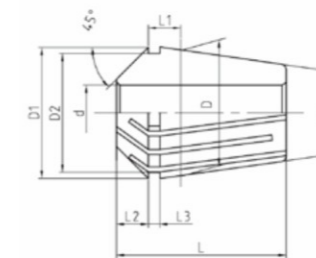
Advantage:

- ◎ Anti-rust
- ◎ Wear-resisting and Surface hardness improved.
- ◎ Precision stability, good cleaning.
- ◎ Smooth surface, Beautiful appearance.

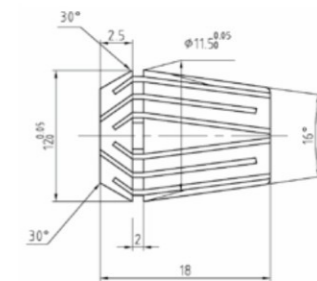
- ◎ 材質: JIS-SUJ2
- ◎ 硬度: 46-50HRC 高精度 High Accuracy
- ◎ Material: JIS-SUJ2
- ◎ Hardness: 46-50HRC
- ◎ 廣泛應用於鏜、銑、鑽、攻絲、磨、雕刻等加工。
- ◎ Suitable for boring, milling, drilling, tapping, grinding, carving processing.



ER11-ER50



ER8

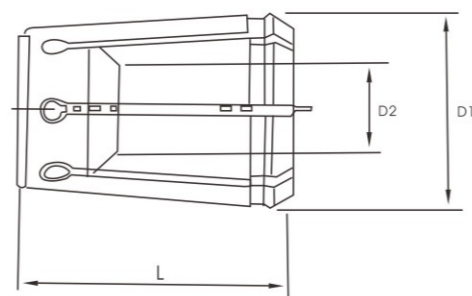


ER12

型號 Model No.	dH7	D	D1	D2	L	L1	L2	L3	彈性收縮量 Collapsible Capacity
ER8	1.0-5.0	8	8.45	6.5	13.5	2.98	1.5	1.2	0.5
ER11	1.0-7.0	11	11.5	9.5	18	3.8	2.5	2	0.5
ER16	1.0-2.5	16	17	13.8	27.5	6.26	4	2.7	0.5
	>2.5-10.0	16	17	13.8	27.5	6.26	4	2.7	1
ER20	1.0-2.5	20	21	17.4	31.5	6.36	4.8	2.8	0.5
	>2.5-13.0	20	21	17.4	31.5	6.36	4.8	2.8	1
ER25	1.0-2.5	25	26	22	34	6.66	5	3.1	0.5
	>2.5-16.0	25	26	22	34	6.66	5	3.1	1
ER32	2.0-2.5	32	33	29.2	40	7.16	5.5	3.6	0.5
	>2.5-20.0	32	33	29.2	40	7.16	5.5	3.6	1
ER40	3.0-26.0	40	41	36.2	46	7.66	7	4.1	1
ER50	6.0-10.0	50	52	46	60	12.6	8.5	5.5	1
	>10.0-34.0	50	52	46	60	12.6	8.5	5.5	2



- 特點:
- ◎ 材質:1 SUJ2
 - ◎ 硬度:HRC 46
 - ◎ 斜度:8
 - ◎ 表面粗度Rz 2.5以內
 - ◎ 同心度按DIN標準全數檢驗.
 - ◎ 挾持範圍ER11=0.5mm
 - ◎ ER16,20,25,32,40=1mm
 - ◎ 內孔經過精密搪磨加工.



規格 / Specification 單位/UNIT:mm

ER11		ER16		ER20		ER25		ER32		ER40	
SET.	13PCS	SET.	10PCS	SET.	12PCS	SET.	15PCS	SET.	18PCS	SET.	23PCS
NO.	Range mm	NO.	Range mm	NO.	Range mm	NO.	Range mm	NO.	Range mm	NO.	Range mm
ER11-1	1.0-0.5	ER16-1	1.0-0.5	ER20-2	2.0-1.0	ER25-2	2.0-1.0	ER32-3	3.0-2.0	ER40-4	4.0-3.0
ER11-1.5	1.5-1.0	ER16-2	2.0-1.0	ER20-3	3.0-2.0	ER25-3	3.0-2.0	ER32-4	4.0-3.0	ER40-5	5.0-4.0
ER11-2	2.0-1.5	ER16-3	3.0-2.0	ER20-4	4.0-3.0	ER25-4	4.0-3.0	ER32-5	5.0-4.0	ER40-6	6.0-5.0
ER11-2.5	2.5-2.0	ER16-4	4.0-3.0	ER20-5	5.0-4.0	ER25-5	5.0-4.0	ER32-6	6.0-5.0	ER40-7	7.0-6.0
ER11-3	3.0-2.5	ER16-5	5.0-4.0	ER20-6	6.0-5.0	ER25-6	6.0-5.0	ER32-7	7.0-6.0	ER40-8	8.0-7.0
ER11-3.5	3.5-3.0	ER16-6	6.0-5.0	ER20-7	7.0-6.0	ER25-7	7.0-6.0	ER32-8	8.0-7.0	ER40-9	9.0-8.0
ER11-4	4.0-3.5	ER16-7	7.0-6.0	ER20-8	8.0-7.0	ER25-8	8.0-7.0	ER32-9	9.0-8.0	ER40-10	10.0-9.0
ER11-4.5	4.5-4.0	ER16-8	8.0-7.0	ER20-9	9.0-8.0	ER25-9	9.0-8.0	ER32-10	10.0-9.0	ER40-11	11-10
ER11-5	5.0-4.5	ER16-9	9.0-8.0	ER20-10	10.0-9.0	ER25-10	10.0-9.0	ER32-11	11-10	ER40-12	12-11
ER11-5.5	5.5-5.0	ER16-10	10.0-9.0	ER20-11	11-10	ER25-11	11-10	ER32-12	12-11	ER40-13	13-12
ER11-6	6.0-5.5			ER20-12	12-11	ER25-12	12-11	ER32-13	13-12	ER40-14	14-13
ER11-6.5	6.5-6.0			ER20-13	13-12	ER25-13	13-12	ER32-14	14-13	ER40-15	15-14
ER11-7	7.0-6.5					ER25-14	14-13	ER32-15	15-14	ER40-16	16-15
						ER25-15	15-14	ER32-16	16-15	ER40-17	17-16
						ER25-16	16-15	ER32-17	17-16	ER40-18	18-17
								ER32-18	18-17	ER40-19	19-18
								ER32-19	19-18	ER40-20	20-19
								ER32-20	20-19	ER40-21	21-20
										ER40-22	22-21
										ER40-23	23-22
										ER40-24	24-23
										ER40-25	25-24
										ER40-26	26-25

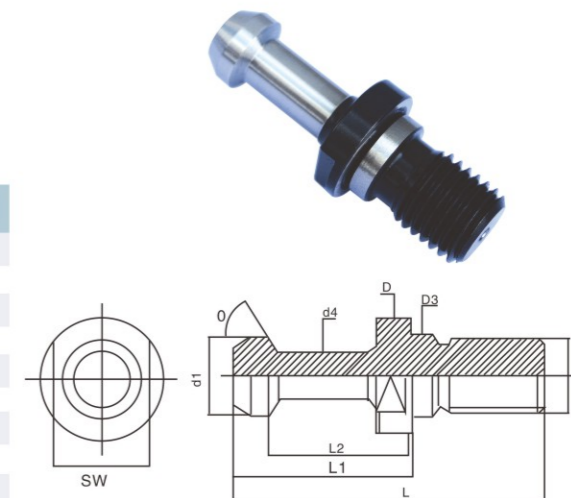
規格 / Specification 單位/UNIT:mm

型號 MODEL	D1	L	PCS/SET	數量/組(規格) D:RANG SIZE	淨重 N.W.(kg)
ER11	11.5	18	13pcs	1,1.5,2,2.5,3,3.5,4,4.5,5,5.5,6,6.5,7	0.3
			7pcs	1,2,3,4,5,6,7,	0.2
			10pcs	1,2,3,4,5,6,7,8,9,10	0.7
ER16	17	27	8pcs	3,4,5,6,7,8,9,10	0.6
			12pcs	2,3,4,5,6,7,8,9,10,11,12,13	0.9
ER20	21	31	10pcs	4,5,6,7,8,9,10,11,12,13	0.8
			15pcs	2,3,4,5,6,7,8,9,10,11,12,13,14,15,16	1.3
ER25	26	35	7pcs	4,6,8,10,12,14,16	0.35
			18pcs	3,4,5,6,7,8,9,10,11,12,13,14,15,16,17,18,19,20	3.3
ER32	33	40	11pcs	4,5,6,8,10,12,13,15,16,18,20	2.8
			6pcs	6,8,10,12,16,20	0.9
ER40	41	46	23pcs	4,5,6,7,8,9,10,11,12,13,14,15,16,17,18,19,20,21,22,23,24,25,26	6.5
			15pcs	4,5,6,8,9,10,12,13,15,16,18,20,21,22,25,26	4.2
			7pcs	6,8,10,12,16,20,25	2

> BT SERIES

螺栓拉頭

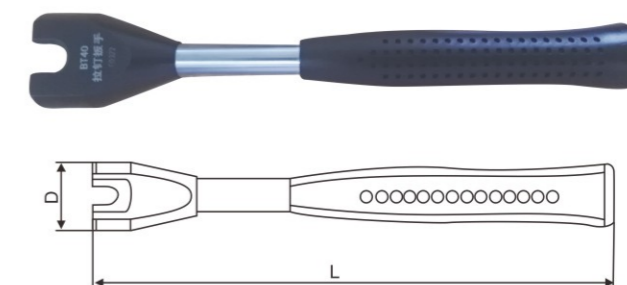
SPEC. MODEL	D	d1	d2	d3	L	l1	T	重量 (KGS)
BT30-45°	16.5	11	7	12.5	43	23	M12	0.04
BT40-45°	23	15	10	17	60	35	M16	0.10
BT50-45°	38	23	17	25	85	45	M24	0.30
BT30-60°	16.5	11	7	12.5	43	23	M12	0.04
BT40-60°	23	15	10	17	60	35	M16	0.10
BT50-60°	38	23	17	25	85	45	M24	0.30
BT30-90°	16.5	11	7	12.5	43	23	M12	0.04
BT40-90°	23	15	10	17	60	35	M16	0.10
BT50-90°	38	23	17	25	85	45	M24	0.30



BT30/40/50拉釘扳手

SPANNER FOR STUD

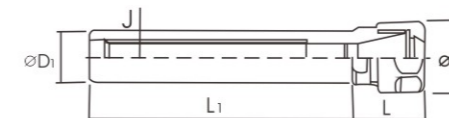
型號 Model	D	L	適用拉釘 Whereused
ZYWB-30	27	210	BT30
ZYWB-40	37	230	BT40
ZYWB-50	49	280	BT50



> ER SERIES

直柄立銑刀刀杆

- 特點:
- ◎ 照明點及切削液的供給可以到達加工部位
 - ◎ 採用SCM-21 鋼材制成,可用于精密加工

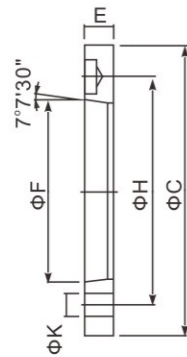


型號 MODEL	L1	L	D	Unit:mm
C20-ER16-50	50	30	28	
C20-ER16-100	100	30	28	
C20-ER16-150	150	30	28	
C20-ER20-50	50	36	34	
C20-ER20-100	100	36	34	
C20-ER25-50	50	46	42	
C20-ER25-100	100	46	42	
C20-ER25-150	150	46	42	
C25-ER16-100	100	30	28	
C25-ER16-150	150	30	28	
C25-ER20-150	150	36	34	
C25-ER25-100	100	46	42	
C25-ER25-150	150	46	42	
C25-ER32-80	80	54	50	
C25-ER40-100	100	55	63	
C32-ER25-60	60	46	42	
C32-ER32-100	100	54	50	
C40-ER40-100	100	55	63	
C40-ER32-100	100	54	50	
C40-ER40-100	100	55	63	

ADAPTERS SERIES

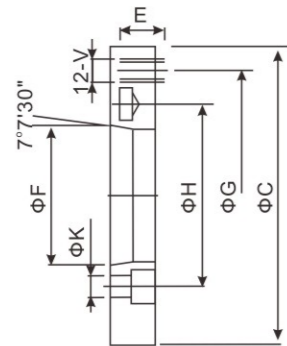
連接板

MOUNTING ADAPTERS ON SHORT TAPER SPINDLE NOSES DIN 55026



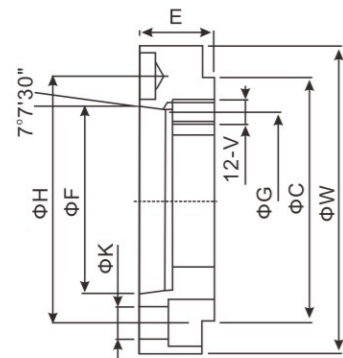
連接板 / Type1:

型號	主軸鼻端	C	F	H	K	E
5"	A4	110	63.513	82.55	3-11	15
6"	A5	140	82.563	104.78	6-11	15
8"	A6	170	106.375	133.35	6-13	17
10"	A8	220	139.719	171.45	6-17	18
15"	A11	300	196.869	235	6-21	22
24"	A15	380	285.775	330.2	6-25	27
32"	A11	300	196.869	235	6-21	22



連接板 / Type2:

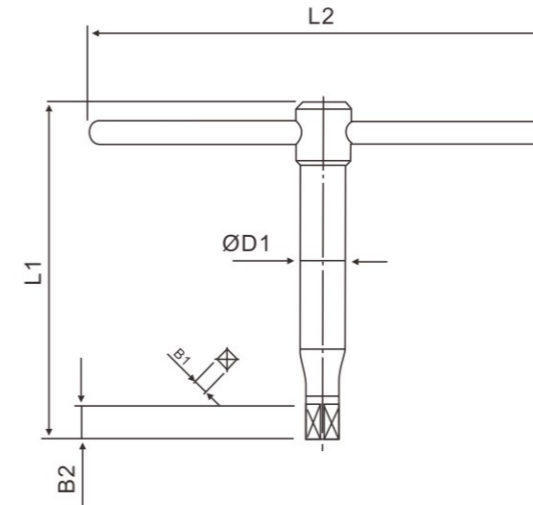
型號	主軸鼻端	C	F	H	K	G	V	E
6"	A4	140	63.513	82.55	11	104.78	M10	20
8"	A5	170	82.563	104.78	11	133.35	M12	23
10"	A6	220	106.375	133.35	13	171.45	M16	25
15"	A8	300	139.719	171.45	17	235	M20	33
20"	A11	380	196.869	235	21	330.2	M24	41
24"	A11	520	196.869	235	21	463.6	M24	45
63"	A20	720	412.775	463.6	27	647.6	M30	50



連接板 / Type3:

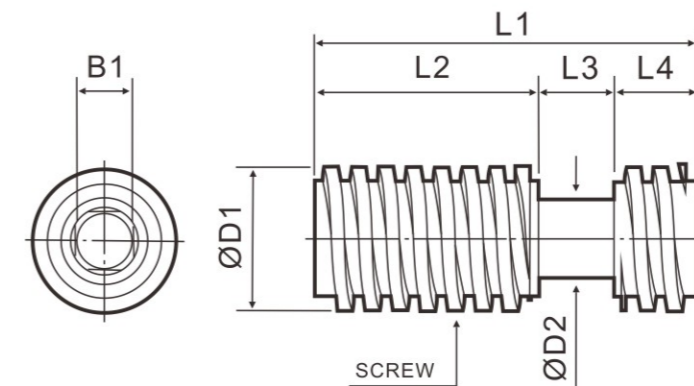
型號	主軸鼻端	C	F	H	K	G	V	W	E
5"	A5	110	82.563	104.78	11	82.55	M10	128	32
6"	A6	140	106.375	133.35	13	104.78	M10	168	35
8"	A8	170	139.719	171.45	17	133.35	M12	208	40
12"	A11	220	196.869	235	21	171.45	M16	278	50
15"	A15	300	285.775	330.2	25	235	M20	378	57
24"	A20	380	412.775	463.6	26	330.2	M24	520	58

手動卡盤把手/SC, FTC, IC HANDLES



	L1	L2	B1	B2	D1
SC-85(3")	65	110	7	10	15
SC-110(4")	70	140	8	11	17
SC-130(5")	75	170	8	11	20
SC-165(6")	120	210	10	13	20
SC-190(7")	160	240	11	14	20
SC-230(9")	160	290	12	15	22
SC-273(10")	160	330	12	15	22
SC-310(12")	200	390	14	18	26
SC-355(14")	200	390	14	18	26
SC-405(16")	170	450	15	20	26
FTC-460(18")	205	500	17	20	25
FTC-535(21")	230	500	*6-22	26	30
FTC-610(24")	230	500	*6-22	26	30
SL-08	200	240	11	16	20
SL-10	240	270	12	16	22
SL-12	280	320	14	18	26
IC-150(6")	100	150	8	12	13
IC-200(8")	130	200	10	14	15
IC-250(10")	150	250	10	14	18
IC-300(12")	170	300	12	17	19
IC-350(14")	170	350	12	17	19
IC-400(16")	220	400	14	19	22
IC-450(18")	220	400	14	19	22
IC-500(20")	220	450	14	20	22
IC-600(24")	230	500	14	20	25
IC-700(28")	300	500	14	20	28
IC-800(32")	300	500	19	20	35

單動卡盤絲杆/IC SCREW BAR



	L1	L2	L3	L4	D1	D2	B1	Threads/inch
IC-150(6")	51.5	21	10	20.5	22	11	8	6/inch
IC-200(8")	70	41	14	15	26	14	10	5/inch
IC-250(10")	91.5	57	14	19.5	26	14	10	5/inch
IC-300(12")	111	73	16	22	30	16	12	4/inch
IC-350(14")	130	85.5	16	28.5	30	16	12	4/inch
IC-400(16")	149	108.5	18	22.5	34	18	14	4/inch
IC-450(18")	169	123.5	18	27.5	34	18	14	4/inch
IC-500(20")	189	137	20	32	35	19	14	3.5/inch
IC-600(24")	233	162	20	51	38	20	14	3.5/inch
IC-700(28")	299	193	18	68	38	22	14	4/inch
IC-800(32")	330	216	24	90	44	28	19	6.0mm